

Technical Data Sheet

Code	Item	Size (L x W x H)	Wall Thickness (WT)	Coating Thickness	No. of Knockouts
One Concealed GI Metal Boxes (20 Gauge)					
591010	1/2 Module	81 x 78 x 52	0.9 mm	120 GSM	9
591030	3 Module	102 x 78 x 52	0.9 mm	120 GSM	9
591040	4 Module	136 x 75 x 51	0.9 mm	120 GSM	11
591060	6 Module	209 x 78 x 52	0.9 mm	120 GSM	17
591080	8 Module (HOR)	228 x 78 x 52	0.9 mm	120 GSM	17
591880	8 Module (SQ)	134 x 139 x 49	0.9 mm	120 GSM	13
591120	12 Module	205 x 139 x 49	0.9 mm	120 GSM	19
591160	16 Module	231 x 147 x 60	0.9 mm	120 GSM	19
591180	18 Module	207 x 200 x 61	0.9 mm	120 GSM	18
One Concealed GI Metal Boxes (18 Gauge)					
591210	1/2 Module	76 x 75 x 49	1.2 mm	120 GSM	9
591230	3 Module	98 x 75 x 49	1.2 mm	120 GSM	9
591240	4 Module	134 x 75 x 49	1.2 mm	120 GSM	11
591260	6 Module	206 x 75 x 49	1.2 mm	120 GSM	14
591280	8 Module (HOR)	233 x 79 x 49	1.2 mm	120 GSM	9
591890	8 Module (SQ)	134 x 139 x 49	1.2 mm	120 GSM	17
591320	12 Module	207 x 139 x 49	1.2 mm	120 GSM	19
591360	16 Module	235 x 148 x 60	1.2 mm	120 GSM	10
591380	18 Module	207 x 200 x 61	1.2 mm	120 GSM	18
One Concealed GI Metal Boxes (16 Gauge)					
591410	1/2 Module	76 x 76 x 40	1.2 mm	120 GSM	9
591430	3 Module	100 x 76 x 40	1.2 mm	120 GSM	9
591440	4 Module	136 x 76 x 40	1.2 mm	120 GSM	11
591460	6 Module	208 x 76 x 40	1.2 mm	120 GSM	14
591480	8 Module (HOR)	230 x 76 x 40	1.2 mm	120 GSM	9
591900	8 Module (SQ)	137 x 135 x 40	1.2 mm	120 GSM	17
591520	12 Module	209 x 135 x 40	1.2 mm	120 GSM	19
591560	16 Module	235 x 148 x 60	1.2 mm	120 GSM	10
591580	18 Module	207 x 200 x 61	1.2 mm	120 GSM	18

Notes:

1. Knockouts suitable for 25 mm OD Conduit Pipes
2. Material of Construction: 120 GSM Pre-Coated GI Sheet
3. Tested as per BIS Requirements
4. Passes 100 hrs Salt Spray Test

Exceptional Features



Anti-rust Coating



Reliable Earthing Terminal



Sturdy Screw Mounts



1800-2121-770



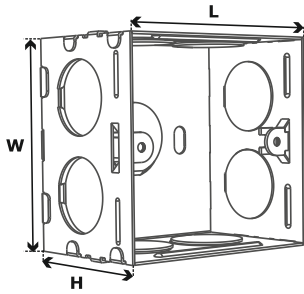
pressfitindia



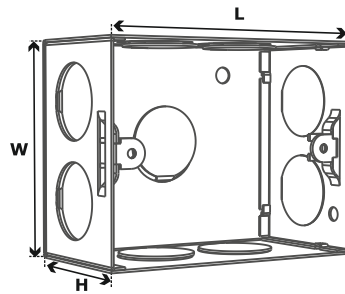
pressfitindia.com

GI CONCEALED METAL BOXES

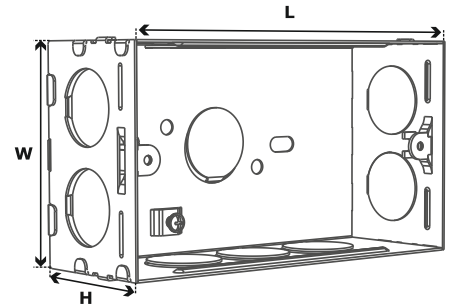
1/2 MODULE



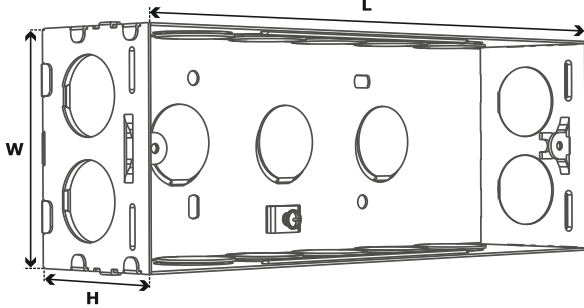
3 MODULE



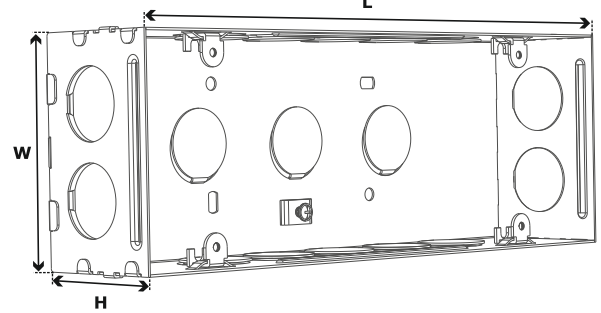
4 MODULE



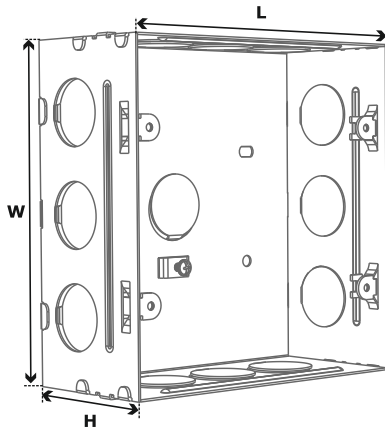
6 MODULE



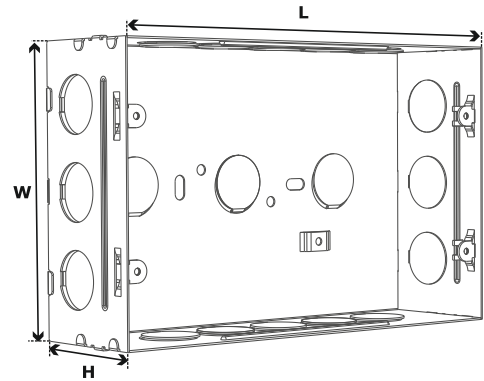
8 MODULE (HOR)



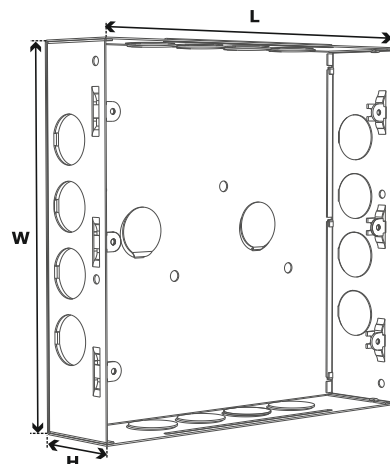
8 MODULE (SQ)



12 MODULE



18 MODULE



16 MODULE

