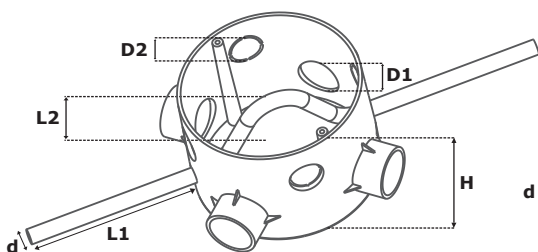


**Technical Data Sheet**

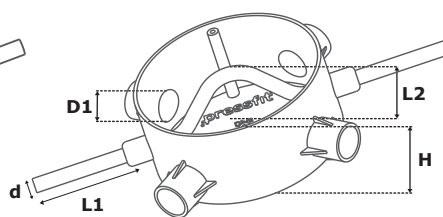
Code	Diameter of Fan Box (D)	Height of Fan Box (H)	Diameter of Rod (d)	Distance of Rod Circumference (L1)	Distance of Rod from the base (L2)	D1	D2
<b>Classic Fan Box 20x25mm</b>							
282001	105mm	73mm	9mm	99mm	62mm	25mm	20mm
<b>Diya Fan Box 20mm</b>							
282151	118mm	54mm	9mm	72mm	56mm	20mm	---
<b>Diya Fan Box 25mm</b>							
282041	114mm	52mm	9mm	65mm	51mm	25mm	---
<b>Diya Plus Fan Box 20x25mm</b>							
282031	121mm	68mm	9mm	67mm	56mm	26mm	20mm
<b>Galaxy Fan Box 20x25mm</b>							
282051	118mm	69mm	8mm	92mm	55mm	26mm	21mm
<b>GX Fan Box 25mm</b>							
282071	100mm	44mm	8mm	50mm	40mm	---	25mm

D: Fan Box Diameter

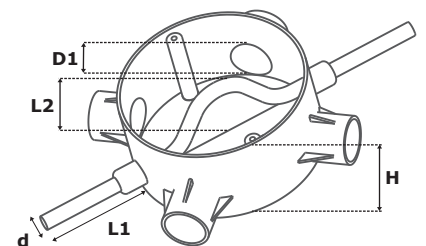
**Classic Fan Box**



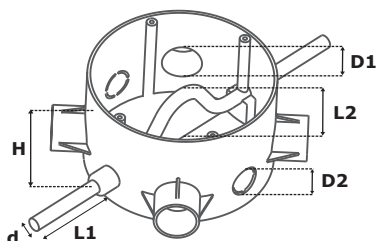
**Diya Fan Box (20mm)**



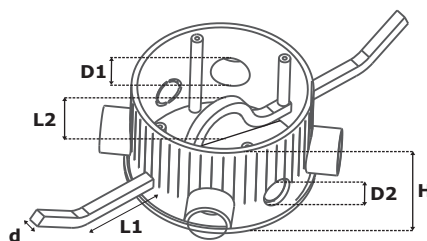
**Diya Fan Box**



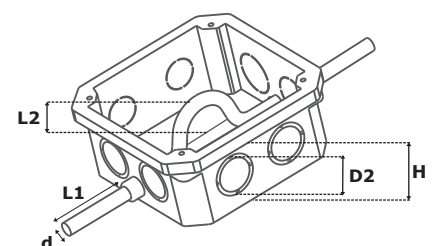
**Diya Plus Fan Box**



**Galaxy Fan Box**



**Gx Fan Box**

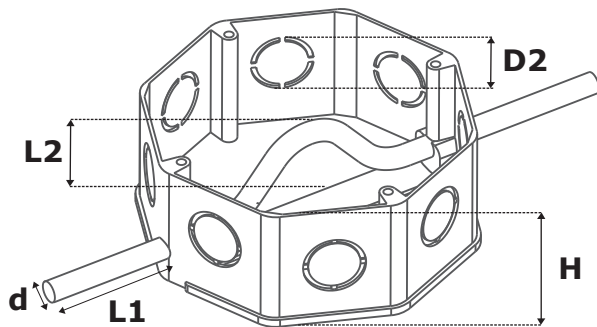


**Technical Data Sheet**

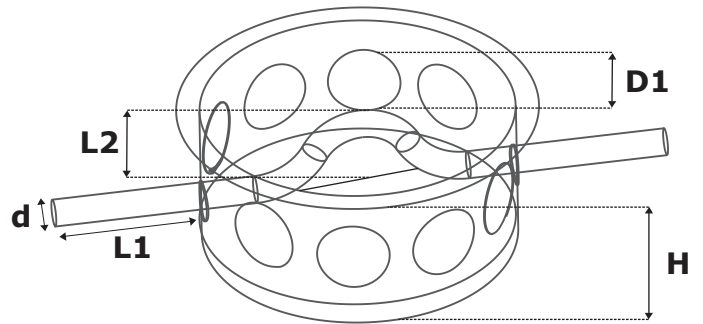
Code	Diameter of Fan Box (D)	Height of Fan Box (H)	Diameter of Rod (d)	Distance of Rod Circumference (L1)	Distance of Rod from the base (L2)	D1	D2
<b>Octa Fan Box 25mm</b>							
282081	136mm	51mm	9mm	65mm	46mm	---	25mm
<b>Atom Metal Fan Box 25mm</b>							
282022	118mm	62mm	10mm	82mm	55mm	27mm	---
<b>Neo Metal Fan box 25mm</b>							
282062	134mm	53mm	12mm	46mm	45mm	28mm	---
<b>Neo Plus Metal Fan Box 25mm</b>							
282068	118mm	55mm	11mm	49mm	48mm	25mm	---

D: Fan Box Diameter

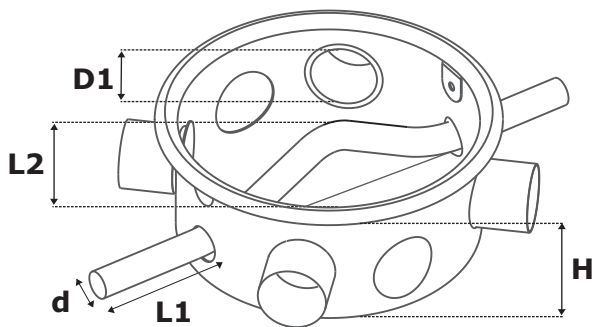
**Octa Fan Box**



**Atom Metal Fan Box**



**Neo Metal Fan Box**



**Neo Plus Metal Fan Box**

